



Tyki Lighting Technology Co., Ltd

Model: TK-FL-150W LED Retrofit Kit

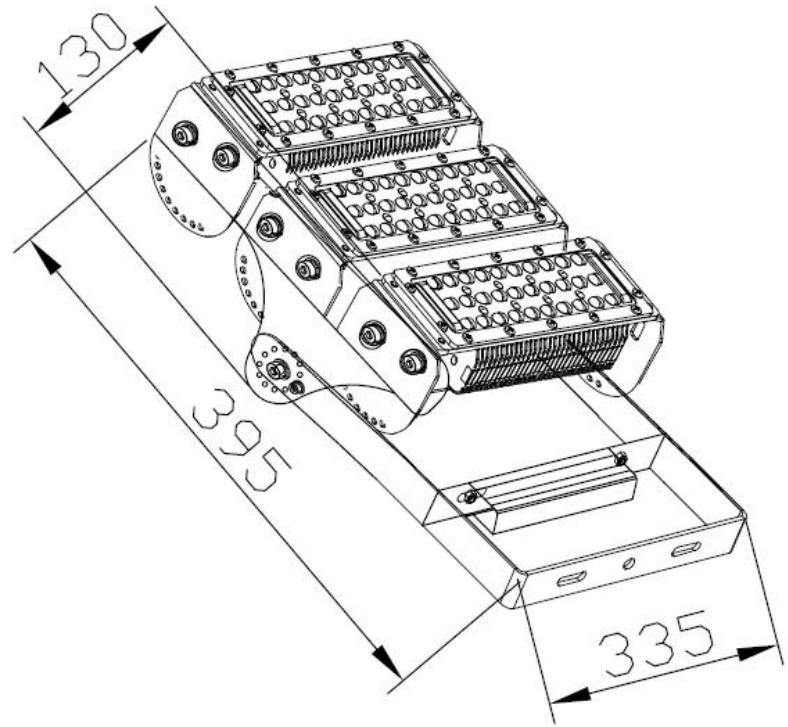
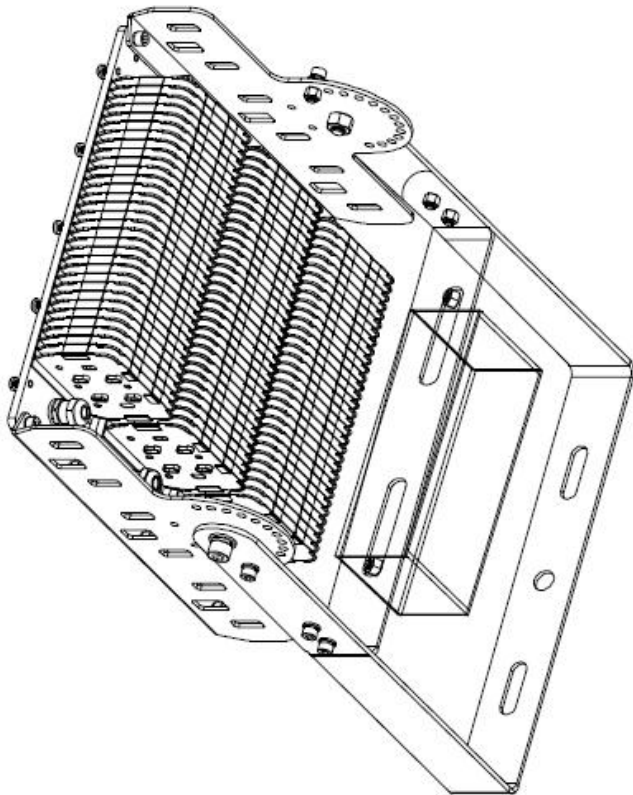


- * Beam angle: 60*60°/90*90°/75*135°
- * Aluminum heat dissipation
- * CCT: 2700-7500K
- * Input Voltage: AC90-305V
- * Certification: CE, ROHS, PSE
- * Wide application: Streets, Warehouse, Shoebox, Wallpack, High bays, Garden, Shopping Malls, Galleries, Stadiums.



Tyki Lighting Technology Co., Ltd

product size



注：单位MM

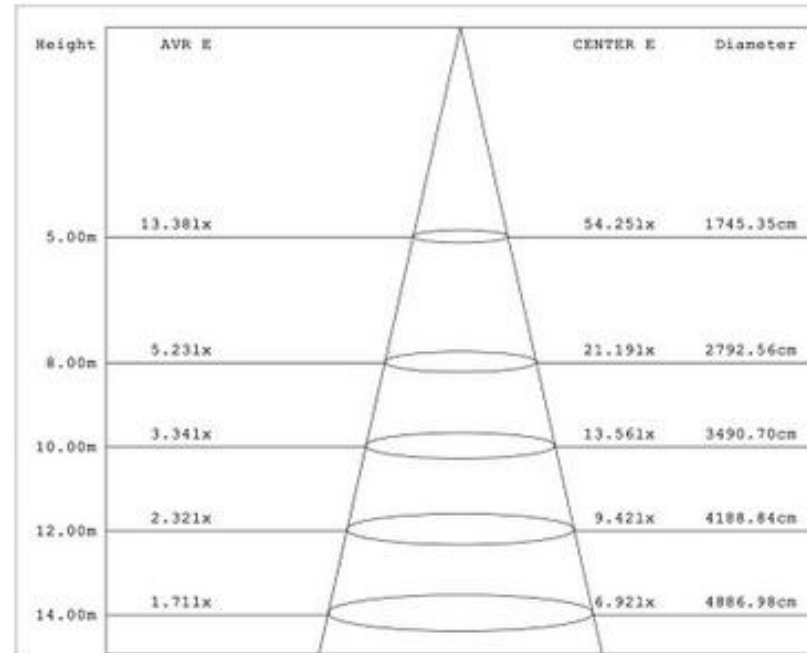
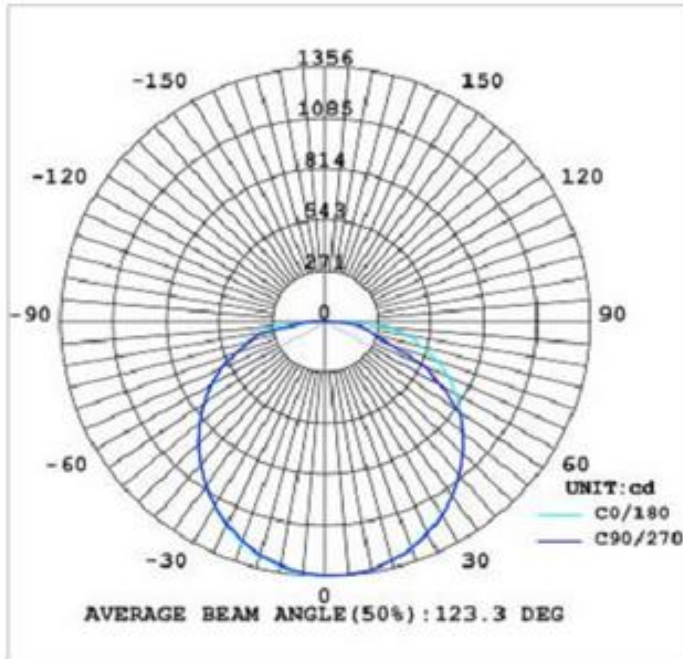


Tyki Lighting Technology Co., Ltd

Application



Technical data





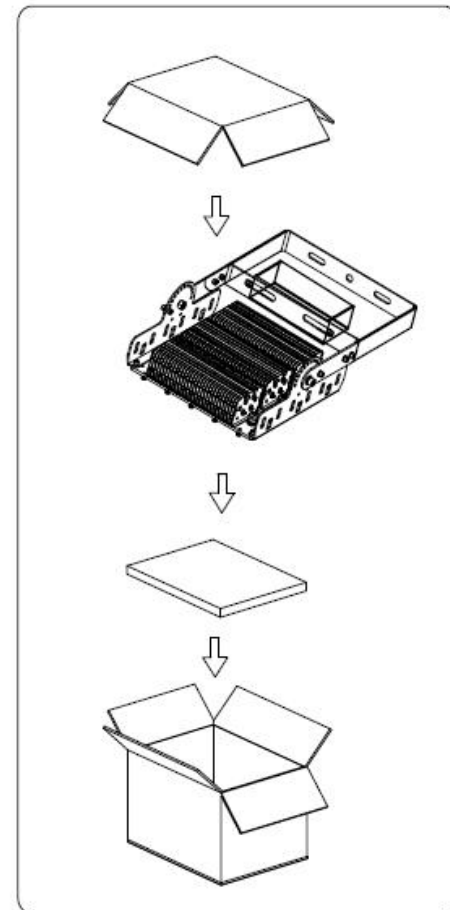
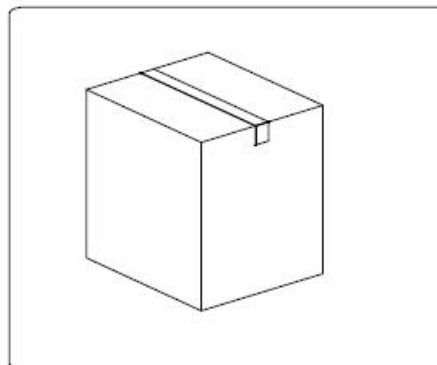
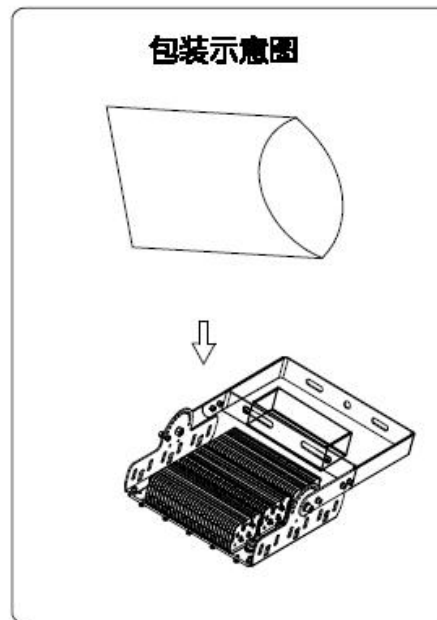
Tyki Lighting Technology Co., Ltd

	Parameter	Rating	Unit
Electrical	Rated Power	150	W
	Input voltage	AC90-305	V
	Input frequency	50/60	HZ
	Power Factor	>98	
	Light fixture	>90	
Optical	Color temperature	2800-3000k 4000-4500k 6000-6500k	3000-3500k 5000-5500k 7000-7500k
	Luminous	>18000	LM
	LED luminous efficiency	120-130	LM/W
	Beam Angle	60/90	°

Environment	Operating temperature	-40-50	°C
	Operating Humidity	0-85	%
	Storage Temperature	-20-60	°C
	Storage Humidity	10-95	%
	Lifespan (Ta=25°C)	>50000	hour
Mechanical	Base (optional)		
	Safety compliance	CE PSE	
	LED Chip Brand	Lumileds 3030 SMD	
	Material	AL	

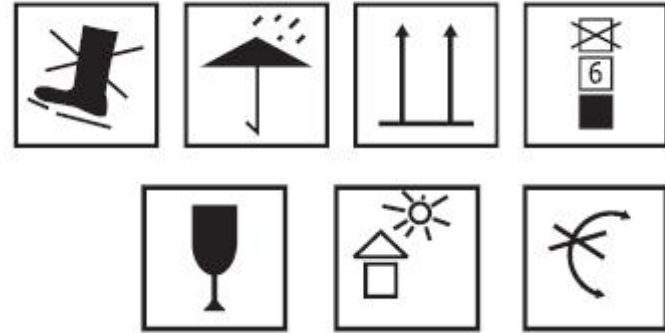
Packing

internal packing	460*360*150mm
Carton size	460*360*150mm
Quantity	1pcs/carton
Weight	6kg/carton





Tyki Lighting Technology Co., Ltd



- 1: Please cut off the power before installation, be safe.
- 2: Please read specification carefully, make sure the correct operation environment.
- 3: Please confirm the correct driver and connect it after the power switch off, avoiding the electric shock.
- 4: Please estimate the quantity of lamps, and calculate the total power according to each lamp, and then make the power distribution program.